



Accentline

Accentline 50W GU5.3 12V 36D 1CT

Low-voltage halogen burner optically positioned in a glass reflector with and without front glass

Product data

• General Characteristics

Philips Code	na [-]
ANSI Code Halogen	EXN
Cap-Base	GU5.3
Bulb	MR16 [2inch/50mm]
Burning Position	any [Any/Universal]
Life to 50% failures	3000 hr
Nominal Lifetime	3000 hr
Rated Lifetime	3000 hr
Rated Lifetime (years)	3 an

• Light Technical Characteristics

Beam Angle	36 D
Technical Beam Angle	36 D
Luminous Intensity	1500 (max) cd
Colour Rendering Index	100 Ra8
Colour Temperature	3000 K
Colour Temperature Technical	3000 K
Rated Luminous Flux	680 Lm
LLMF - end nominal lifetime	80 (min) %
Rated Beam Angle	36 D
Luminous flux in 90° cone	680 Lm

• Electrical Characteristics

Rated Wattage	50.0 W
Lamp Wattage	50 W
Technical Lamp Power	50 W
Power Factor	1 -

Voltage	12 V
Lamp Current	4.17 A
Dimmable	yes
Starting Time	0.0 s
Warm-up Time to 60% Light Outp	instant full light

• Environmental Characteristics

Energy Efficiency Label (EEL)	B
Energy consumption kWh/1000h	53 kWh

• Measuring Conditions

Switching cycle	12000X
-----------------	--------

• Luminaire Design Requirements

Cap-Base Temperature	250 (max) C
Bulb Temperature	250 (max) C

• Product Dimensions

Overall Length C	46 (max) mm
Diameter D	50.7 (max) mm

• Product Data

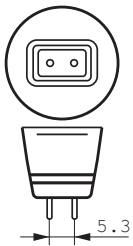
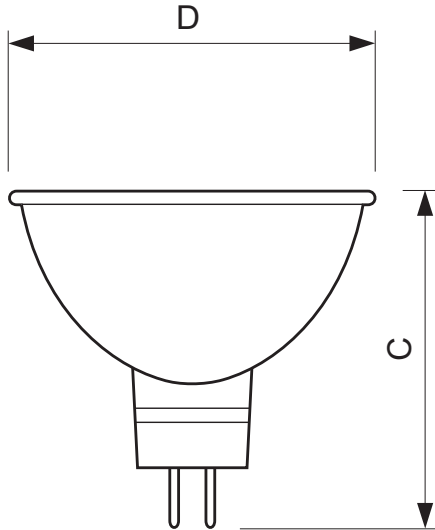
Order code	412058 60
Full product code	871150041205860
Full product name	Accentline 50W GU5.3 12V 36D 1CT
Order product name	Accent 50W GU5.3 12V 36D 1CT/10X5F

PHILIPS

Pieces per pack 1
 Packing configuration 10X5F
 Packs per outerbox 50
 Bar code on pack - EAN1 8711500412058
 Bar code on intermediate packing - EAN2 8711500412065

Bar code on outerbox - EAN3 8711500412072
 Logistic code(s) - 12NC 924888417130
 ILCOS code HRGI-50-12-GU5.3-50/36
 Net weight per piece 30.000 gr

Dimensional drawing



GU5.3

Accentline 50W GU5.3 12V 36D 1CT

Product	C (Max)	D (Max)
FIGHTER 50W GU5.3 12V MR16 36D	46	50.7



© 2014 Koninklijke Philips N.V. (Royal Philips)
 All rights reserved.

Specifications are subject to change without notice. Trademarks are the property of Koninklijke Philips N.V. (Royal Philips) or their respective owners.

www.philips.com/lighting

2014, March 31
 data subject to change