

Malaga SGS102

SGS102 SON-T250W II MR SKD 42/60



SGS102 - SON-T - 250 W - Moveable reflector - Universal for diameter 42-60 mm

Malaga is a versatile road-lighting luminaire. It offers modern styling and quality lighting for safe and comfortable driving, and for area illumination, with low investment and maintenance costs. The optical system has been designed to deliver good beam control and light output. Malaga provides optimal illuminance and good uniformity when the mounting height approximately equals the road width and the mast spacing is approximately 3.5 times the road width. It is suitable for post-top and side-entry mounting; a wall-mounting bracket is also available.

Product data

• General information

| | |
|------------------------------|---|
| Product family code | SGS102 [SGS102] |
| Number of light sources | 1 [1 pc] |
| Lamp family code | SON-T [SON-T] |
| Lamp power | 250 W [250 W] |
| Cap-base | E40 [E40] |
| Kombipack | No [-] |
| Gear | CONV [Conventional] |
| Protection class IEC | II [Safety class II] |
| Ingress protection code | IP43/65 [Wire-protected, rain/spray-proof; dust penetration-protected, jet-proof] |
| Mech. impact protection code | IK08 [5 J vandal-protected] |
| Optic type | MR [Moveable reflector] |
| Optical cover/lens type | PC [Polycarbonate bowl/cover] |
| Colour | GR [Grey] |
| Ignitor | SKD [Digital semi-parallel MK4] |
| Light regulation | No [-] |
| Photocell | No [-] |
| CE mark | CE [CE mark] |
| ENEC mark | ENEC [ENEC mark] |

• Light technical

| | |
|--------------------------------|----------|
| Standard tilt angle posttop | 15 [15°] |
| Standard tilt angle side entry | 15 [15°] |

• Electrical

| | |
|---------------|--------------------------|
| Input voltage | 230-240 V [230 to 240 V] |
|---------------|--------------------------|

• Mechanical

| | |
|-----------------|---|
| Mounting device | 42/60 [Universal for diameter 42-60 mm] |
|-----------------|---|

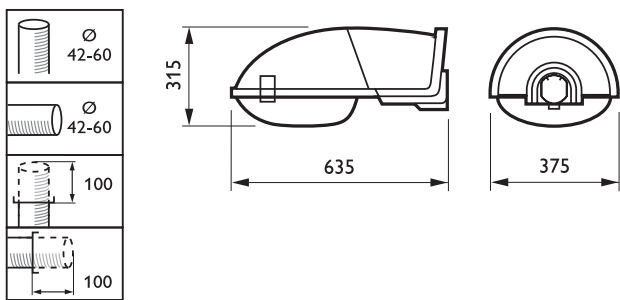
• Product Data

| | |
|-----------------------------|----------------------------------|
| Order code | 634662 00 |
| Full product code | 872790063466200 |
| Full product name | SGS102 SON-T250W II MR SKD 42/60 |
| Order product name | SGS102 SON-T250W II MR SKD 42/60 |
| Pieces per pack | 0 |
| Packs per outerbox | 1 |
| Bar code on outerbox - EAN3 | 8727900634662 |
| Logistic code(s) - 12NC | 910925814412 |
| Net weight per piece | 5.850 kg |



PHILIPS

Dimensional drawing



SGS102 SON-T250W II MR SKD 42/60



© 2015 Koninklijke Philips N.V. (Royal Philips)
All rights reserved.

Specifications are subject to change without notice. Trademarks are the property of Koninklijke Philips N.V. (Royal Philips) or their respective owners.

www.philips.com/lighting

2015, July 27
data subject to change