

CorePro LEDlamps

CorePro LEDspotMV 5-50W GU10 2700K 36D



Delivering a warm, halogen-like accent beam, LEDspots are a perfect fit for spot lighting and have a broad compatibility with transformers. LEDspots are compatible with most existing fixtures with a GU10 / MR16 GU5.3 / E14 holder and are designed as a retrofit replacement for halogen or incandescent spots. LEDbulbs are compatible with existing fixtures with an E27 holder and are designed for retrofit replacement of incandescent bulbs. LEDcandle and LEDluster are compatible with existing fixtures with an E27/E14 holder and are designed for retrofit replacement of incandescent lamps. LEDlamps deliver huge energy savings and minimize maintenance cost

Product data

• General Characteristics

Cap-Base	GU10
Bulb	PAR16 [PAR 2inch]
Rated Lifetime	20000 hr
Nominal Lifetime hours	20000 hr

Wattage Equivalent	50 W
Rated Wattage	5.0 W
Starting Time	0.5 (max) s
Warm-up Time to 60% Light Outp	instant full light
Suitable for accent lighting	Yes

• Light Technical Characteristics

Colour Code	WW
Colour Designation	Warm White
Beam Angle	36 D
Beam Description	36D [Medium beam]
Correlated Colour Temperature	2700 K
Luminous Flux	270 Lm
Luminous Intensity	550 cd
Colour rendering index	80
Luminous Efficacy Lamp	54.00 Lm/W
Colour Temperature	2700 K [CCT 2700K]
Rated Luminous Flux	270 Lm
LLMF - end nominal lifetime	70 %
Colour consistency	6 steps
Rated Beam Angle	36 D

• Temperature Characteristics

• Environmental characteristics

Energy Efficiency Label (EEL)	A
-------------------------------	---

• Measuring Conditions

Switching cycle	50000X
-----------------	--------

• Product Dimensions

Overall Length C	55 mm
Diameter D	50 mm

• Product Data

Order code	242772 00
Full product code	871829124277200
Full product name	CorePro LEDspotMV 5-50W GU10 2700K 36D
Order product name	CorePro LEDspotMV 5-50W GU10 2700K 36D
Pieces per pack	1
Packing configuration	10
Packs per outerbox	10

• Electrical Characteristics

Wattage	5 W
Wattage Technical	5 W
Voltage	220-240 V
Line Frequency	50 Hz
Power Factor	0.5 -
Lamp Current mA	40 mA
Dimmable	No



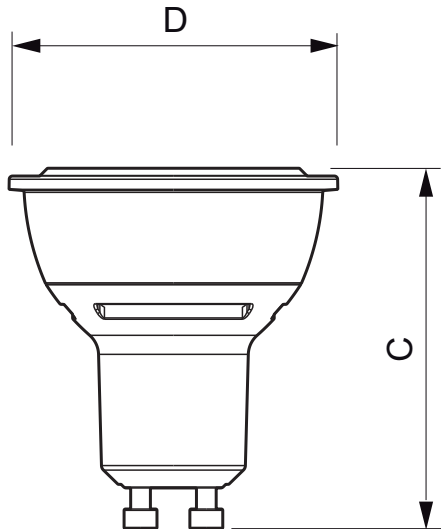
PHILIPS

CorePro LEDlamps

Bar code on pack - EAN1 8718291242772
Bar code on outerbox - EAN3 8718291242789

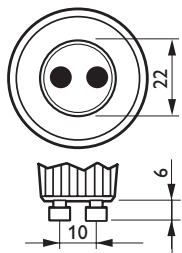
Logistic code(s) - 929000212302
12NC
Net weight per piece 0.050 kg

Dimensional drawing



CorePro LEDspotMV 5-50W GU10 2700K 36D

Product	C (Norm)	C1 (Max)	D (Norm)	D1 (Norm)
LED 5-50W GU10 2700K 220-240V 36D	55	-	50	-



GU10



© 2014 Koninklijke Philips N.V. (Royal Philips)
All rights reserved.

Specifications are subject to change without notice. Trademarks are the property of Koninklijke Philips N.V. (Royal Philips) or their respective owners.

www.philips.com/lighting

2014, May 6
data subject to change