



MASTERColour CDM-R Elite

MASTERColour CDM-R Elite 70W/930 E27 PAR30L 40D

Compact, very high-efficiency, long-life Ceramic Metal Halide discharge reflector lamp producing crisp white sparkling light with high colour rendering

Product data

• General Characteristics

Cap-Base	ES [ES]
Bulb	PAR30L [PAR 3.75 inch/95mm Long]
Bulb Finish	Clear
Burning Position	any [Any/Universal]
Life to 5% failures EM	5500 hr
Life to 5% failures EL	9000 hr
Life to 10% failures EM	6500 hr
Life to 10% failures EL	10000 hr
Life to 20% failures EM	8000 hr
Life to 20% failures EL	12000 hr
Life to 50% failures EM	12000 hr
Life to 50% failures EL	15000 hr

• Light Technical Characteristics

Beam Description	Flood [Flood]
Beam Angle	40 D
Technical Beam Angle	37 D
Luminous Intensity	10300 cd
Colour Code	930 [CCT of 3000K]
Colour Rendering Index	90 Ra8
Colour Designation	Warm white
Colour Temperature	3000 K
Technical Colour Temperature	2900 K
Forward Luminous Output	5100 Lm

Forward Luminous Efficacy	70 Lm/W
Forward Lum Maintenance 2000h	94 %
Forward Lum Maintenance 4000h	90 %
Forward Lum Maintenance 8000h	86 %
Forward Lum Maintenance 12000h	82 %
Forward Lum Maintenance 15000h	80 %
Design Mean Lumens	3800 Lm
Chromaticity Coordinate X	0.443 -
Chromaticity Coordinate Y	0.402 -

• Electrical Characteristics

System Power EL	80 W
Lamp Wattage	70 W
Lamp Wattage EL	73 W
Lamp Voltage	86 V
Lamp Current EL	0.850 A
Ignition Time	30 (max) s
Run-up time 90%	3 (max) min
Re-ignition Time [min]	15 (max) min
Dimmable	no

• Environmental Characteristics

Mercury (Hg) Content	6.6 mg
----------------------	--------

PHILIPS

sense and simplicity

MASTERColour CDM-R Elite

• Luminaire Design Requirements

Cap-Base Temperature	200 (max) C
Bulb Temperature	300 (max) C

• Product Dimensions

Overall Length C	123 (max) mm
Diameter D	97 (max) mm
Overall Length C [inch]	4.84 (max) in

• Product Data

Order code	241904 00
Full product code	871829124190400

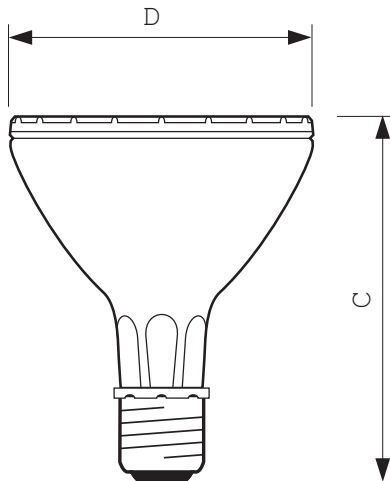
Full product name	MASTERColour CDM-R Elite 70W/930 E27 PAR30L 40D
Order product name	MC CDM-R Elite 70W/930 E27 PAR30L 40D
Pieces per pack	1
Packing configuration	6
Packs per outerbox	6
Bar code on pack - EAN1	8718291241904
Bar code on outerbox - EAN3	8718291241911
Logistic code(s) - 12NC	928109500630
ILCOS code	MRS/UB-70/30/1A-H-E27
Net weight per piece	0.220 kg

Warnings and Safety

- Use only with electronic control gear

- Control gear must include end-of-life protection (IEC61167, IEC 62035)

Dimensional drawing

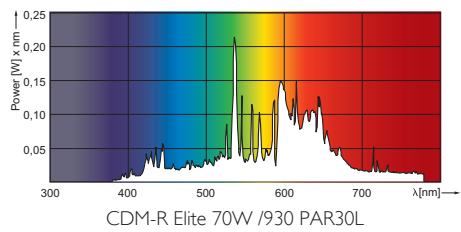


E27

MASTERColour CDM-R Elite 70W/930 E27 PAR30L 40D

Product	C (Max)	D (Max)
CDM-R Elite 70W/930 E27 PAR30L 40D	123	97

Photometric data



© 2013 Koninklijke Philips Electronics N.V.
All rights reserved.

Specifications are subject to change without notice. Trademarks are the property of Koninklijke Philips Electronics N.V. or their respective owners.

www.philips.com/lighting

2013, May 9
data subject to change