

MASTERC colour CDM-T Elite MW

MASTERC colour CDM-TMW Elite 315W/930 1CT

The medium wattage lighting system that gives superior, longer-lasting white light for both indoor and outdoor use



Product data

• General Characteristics

Cap-Base	PGZ18
Bulb	TMW28 [TMW 28mm]
Bulb Finish	Clear
Burning Position	any [Any/Universal]
Life to 5% failures EL	13900 hr
Life to 10% failures EL	16000 hr
Life to 50% failures EL	30000 hr

• Light Technical Characteristics

Colour Code	930 [CCT of 3000K]
Colour Rendering Index	87 (min), 90 (nom) Ra8
Colour Designation	Warm white
Colour Temperature	3100 K
Colour Temperature Technical	3100 K
Lamp Luminous Flux EL	38700 Lm
Lamp Luminous Efficacy EL	120 Lm/W
Lumen Maintenance 2000h	99 %
Lumen Maintenance 5000h	96 %
Lumen Maintenance 8000h	92 %
Lumen Maintenance EL 10000h	90 %
Lumen Maintenance 12000h	89 %
Lumen Maintenance 20000h	80 %

Lumen Maintenance - 10% life	96 %
Lumen Maintenance - 40% life	89 %
Design Mean Lumens	34440 Lm
Chromaticity Coordinate X	0.429 -
Chromaticity Coordinate Y	0.399 -

• Electrical Characteristics

Lamp Wattage	315 W
Lamp Wattage EL 25°C, Rated	315.0 W
Lamp Wattage EL 25°C, Nominal	315.0 W
Lamp Voltage	100 V
Lamp Current EL	3.15 A
Lamp Current Run-Up	4.7 A
Ignition Time	3 (max) s
Run-up time 90%	1.5 (max) min
Re-ignition Time [min]	10 (max) min

• Environmental Characteristics

Energy Efficiency Label (EEL)	A+
Mercury (Hg) Content	28 (max) mg
Picogram per Lumen Hour	27.1 p/LuHr
Energy consumption kWh/1000h	346 kWh

PHILIPS

• UV-related Characteristics

Damage Factor D/fc	0.013 -
PET (NIOSH)	141 h500lx
UV A	3.45 mW/cm ²
UV B	0.01 mW/cm ²
UV C	0.03 mW/cm ²

• Luminaire Design Requirements

Cap-Base Temperature	250 C
Pinch Temperature	300 (max) C
Bulb Temperature	600 (max) C

• Product Dimensions

Overall Length C	186 (nom), 188 (max) mm
Diameter D	28 (nom), 29 (max) mm
Light Center Length L	88 (min), 90 (nom), 92 (max) mm
Arc Length O	16 mm
Maximum Overall Length [inch]	7.4 (max) in

Light Center Length L [inch]	3.54 in
Diameter D [inch]	1.1 in

• Product Data

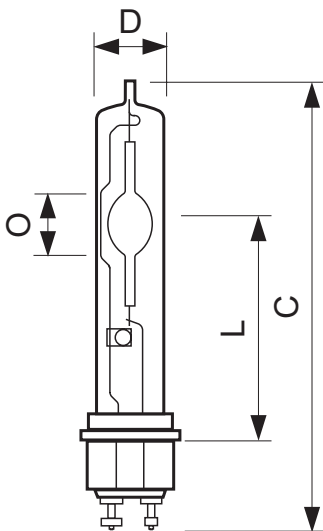
Order code	548010 00
Full product code	871829154801000
Full product name	MASTERC colour CDM-TMW Elite 315W/930 1CT
Order product name	MASTERC CDM-TMW Elite 315W/930 1CT
Pieces per pack	1
Packing configuration	12
Packs per outerbox	12
Bar code on pack - EAN1	8718291548010
Bar code on outerbox - EAN3	8718291548027
Logistic code(s) - 12NC	928601164631
ILCOS code	MT-315/30/1A-H-PGZ18
Net weight per piece	124.000 gr

Warnings and Safety

- Use only in totally enclosed luminaire, even during testing, except for protected versions with PGZX18 cap, which are designed for open luminaires (IEC61167, IEC 62035, IEC60598)

- The luminaire must be able to contain hot lamp parts if the lamp ruptures
- Use only with electronic control gear
- Control gear must include end-of-life protection (IEC61167, IEC 62035)

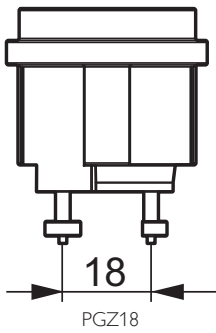
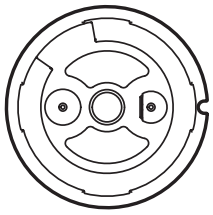
Dimensional drawing



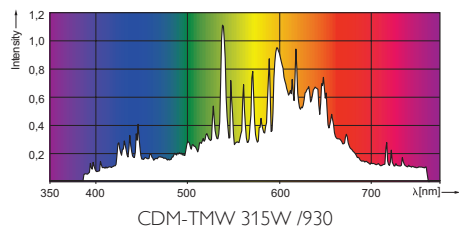
MASTERC colour CDM-TMW Elite 315W/930 1CT

Product	C (Norm)	C (Max)	D (Norm)	D (Max)
CDM TMW 315W/930 PGZ18 U	186	188	28	29

Dimensional drawing



Photometric data



© 2014 Koninklijke Philips N.V. (Royal Philips)
All rights reserved.

Specifications are subject to change without notice. Trademarks are the property of Koninklijke Philips N.V. (Royal Philips) or their respective owners.

www.philips.com/lighting

2014, February 25
data subject to change