



PAR56

PAR56 300W Multipurpose 12V UW 1CT

Extremely powerful pressed-glass 179 mm diameter reflector lamps

PHILIPS

Product data

• General Characteristics

Cap-Base	Multipurpose [Screw Terminal]
Bulb	PAR56 [PAR 7inch/180mm]
Burning Position	any [Any/Universal]
Main Application	Underwater
Nominal Lifetime	1000 hr
Rated Lifetime	1000 hr
Rated Lifetime (years)	1 an

• Light Technical Characteristics

Beam Description	-
Beam Angle	40 D
Technical Beam Angle	40 D
Luminous Intensity	16000 (max) cd
Colour Rendering Index	100 Ra8
Colour Temperature	2700 K
Rated Luminous Flux	4378 Lm
Rated Beam Angle	40 D
Luminous flux in 90° cone	4378 Lm

• Electrical Characteristics

Rated Wattage	300.0 W
Lamp Wattage	300 W
Voltage	12 V
Dimmable	yes
Starting Time	0.0 s
Warm-up Time to 60% Light Outp	instant full light

• Environmental Characteristics

Energy Efficiency Label (EEL)	C
-------------------------------	---

Energy consumption kWh/1000h 318 kWh

• Measuring Conditions

Switching cycle 4000X

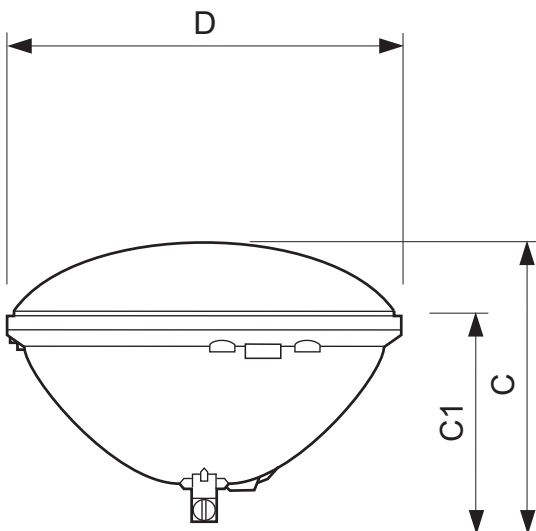
• Product Dimensions

Overall Length C 119.3 (max) mm
 Overall Length Rim C1 98 mm
 Diameter D 178.5 (max) mm

• Product Data

Order code 159694 42
 Full product code 871150015969442
 Full product name PAR56 300W Multipurpose 12V UW 1CT
 Order product name PAR56 300W Multipurpose 12V UW 1CT/8
 Pieces per pack 1
 Packing configuration 8
 Packs per outerbox 8
 Bar code on pack - EAN1 8711500159694
 Bar code on outerbox - EAN3 8711500159700
 Logistic code(s) - 12NC 923804817121
 ILCOS code IPAR-300-12-179/40
 Net weight per piece 580.000 gr

Dimensional drawing



PAR56 300W Multipurpose 12V UW 1CT

Product	C (Max)	C1 (Norm)	D (Norm)	D (Max)
PAR56 300W MP 12V UW	119.3	98	-	178.5



© 2014 Koninklijke Philips N.V. (Royal Philips)
All rights reserved.

Specifications are subject to change without notice. Trademarks are the property of
Koninklijke Philips N.V. (Royal Philips) or their respective owners.

www.philips.com/lighting

2014, September 18
data subject to change