

flush-mounting cabinets Practibox™

6 to 36 modules



6 011 11

6 011 14

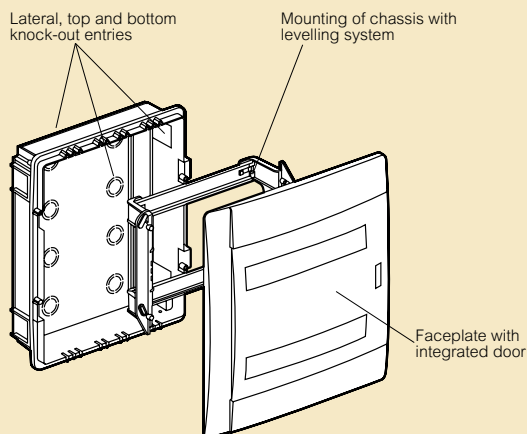
IP 40 - IK 07 with door
 Class II
 Conform to standard IEC 439
 Reversible faceplate
 Box for masonry
 White RAL 9003
 Supplied without terminal block

Pack	Cat.Nos	Terminal shield boxes
1/12	6 011 10	1 row of 6 modules
1/12	6 011 11	1 row of 8 modules
1/6	6 011 12	1 row of 12 modules
1/5	6 011 13	2 rows of 12 modules
1/3	6 011 14	3 rows of 12 modules

		Accessories
20	0 016 60	Blanking plate Separable into modules or 1/2 modules 5 modules - white
		Terminal blocks Neutral and earth - 2 x 8 holes
10	6 012 90	Key lock Only for 2 and 3 rows distribution cabinets N° 850
1	0 019 66	

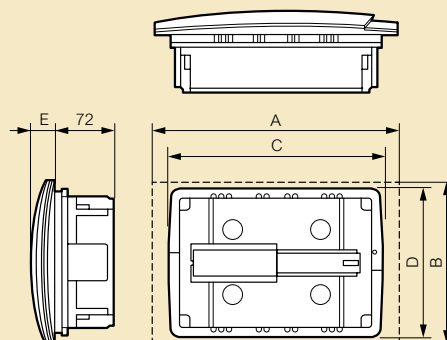
flush-mounting cabinets Practibox™

6 to 36 modules



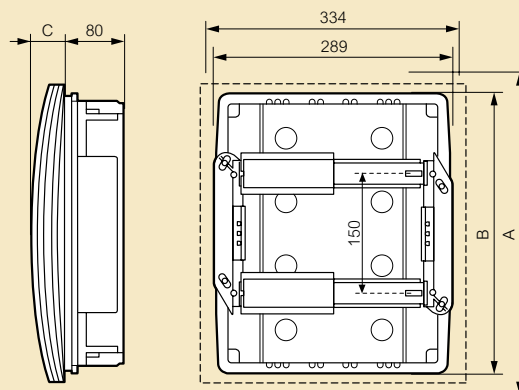
■ Dimensions

Cabinets 6,8 and 12 modules



	Number of modules		
	6 mod.	8 mod.	12 mod.
A	230	266	334
B	186	188	225
C	208	244	287
D	180	180	208
E	27	27	31

Cabinets 24 and 36 modules



	Number of modules	
	24 mod.	36 mod.
A	376	526
B	358	508
C	40	42

Bold pack quantities: Minimum quantities to be ordered