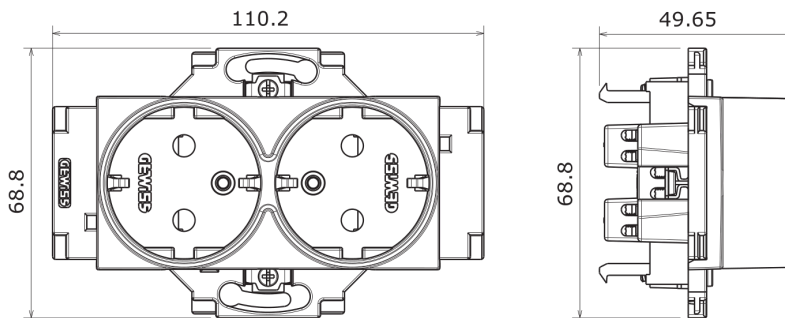




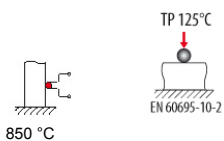
Wiring device system specific for installations in round and square boxes, characterized by an elegant appearance and classic shapes. The plates, realized in technopolymer in seven colors and in different modularities, from 2 up to 2+2+2+2 gang, are installable indifferently in horizontal or in vertical position. The range, developed around a core of monobloc devices, is available in two colors: white and ivory, in glossy finish. Expandable thanks to the Chorus modular devices.

Colour	White	Characteristics	With shutters for child protection
Material	Technopolymer	Type	Double
Finishing	Glossy	Fixing	With clutches/Screws
For plug pins	Ø 4.8 mm	Standard	German standard
Description	2P+E - 16A	Type of terminals	With screw
Breaking capacity (EN 61009-1)	1.25 In (100 position changes)	Voltage	250 V ac
Terminal tightening capacity	0,5-2x2,5 mm ² rigid cables - 0,75-2x4 mm ² flexible cables	Glow wire test	850 °C
Category	Socket-outlet	Insulation resistance	> 5 MOhm
Thermo-pressure with ball	125 °C	Standard	IEC 60884-1
Resistance at test voltage	2000 V a 50 Hz for 1 minut	Prolonged operation (no.of position changes)	10.000 at In 250 V ac cos=0,8
Terminal grip on cable traction	> 50 N		

DIMENSIONAL



TECHNICAL SYMBOLOGY



STANDARDS/APPROVALS

GEWISS S.p.A. Via A. Volta, 1
24069 Cenate Sotto - Bergamo - Italy
tel. +39 035 94 61 11 fax +39 035 94 69 09

www.gewiss.com
sat@gewiss.com
Last update 08/06/2016

Data, measures, designs and pictures are shown only as informativ purposes, and could be changed without previous notice